



Energy Management NY

Put Money Back Into Your Operational Budget with Minimal Disruption



RodanEnergy.com

Avoid Disruption and Put Money Back Into Your Operational Budget

New York Energy Market

In New York the demand for power continues to increase and as a result, both the NYISO and local utilities are paying larger energy users to be readily available to curtail their electrical load if called upon to do so.

There are many Demand Response (DR) programs available to match various curtailable energy load and response time capabilities.

Rodan has both the expertise and technical capability to manage customer participation across the full suite of Demand Response programs, right here in New York State.

The value of enrolling in one or more of these programs at the same time can range from \$58,000 - 370,000/ curtailable MW/annum.*

*Values from year 2023.

Value of Participation

\$58,000-\$370,000/Curtailable MW



Demand Response

Reducing Your Workload, We Will:

- Understand your economic and reliability goals.
- Conduct a full curtailment audit.
- Match programs to load flexibility to minimize operational disruption.
- Administer the registration paperwork.
- Manage the implementation process, ongoing engagement and communications.
- Provide real-time reporting - energy reduction and financial transparency.
- Settlement of payments.



Serving the New York Energy Market

Rodan has been serving energy markets in North America for over 20 years. Our clients are among the top power producers, distributors, and consumers.

We have over 1 GW of total curtailable energy load under management and remotely manage energy assets for some of New York's top energy users.



Systems Engineering & Market Intelligence Software

We design and specify metering equipment, provide proprietary energy intelligence software with forecasting, and analyse and execute dispatch activities that give our customers the flexibility to participate in even the most complex Demand Response programs.

Portfolio of NYISO and Utility DR Programs

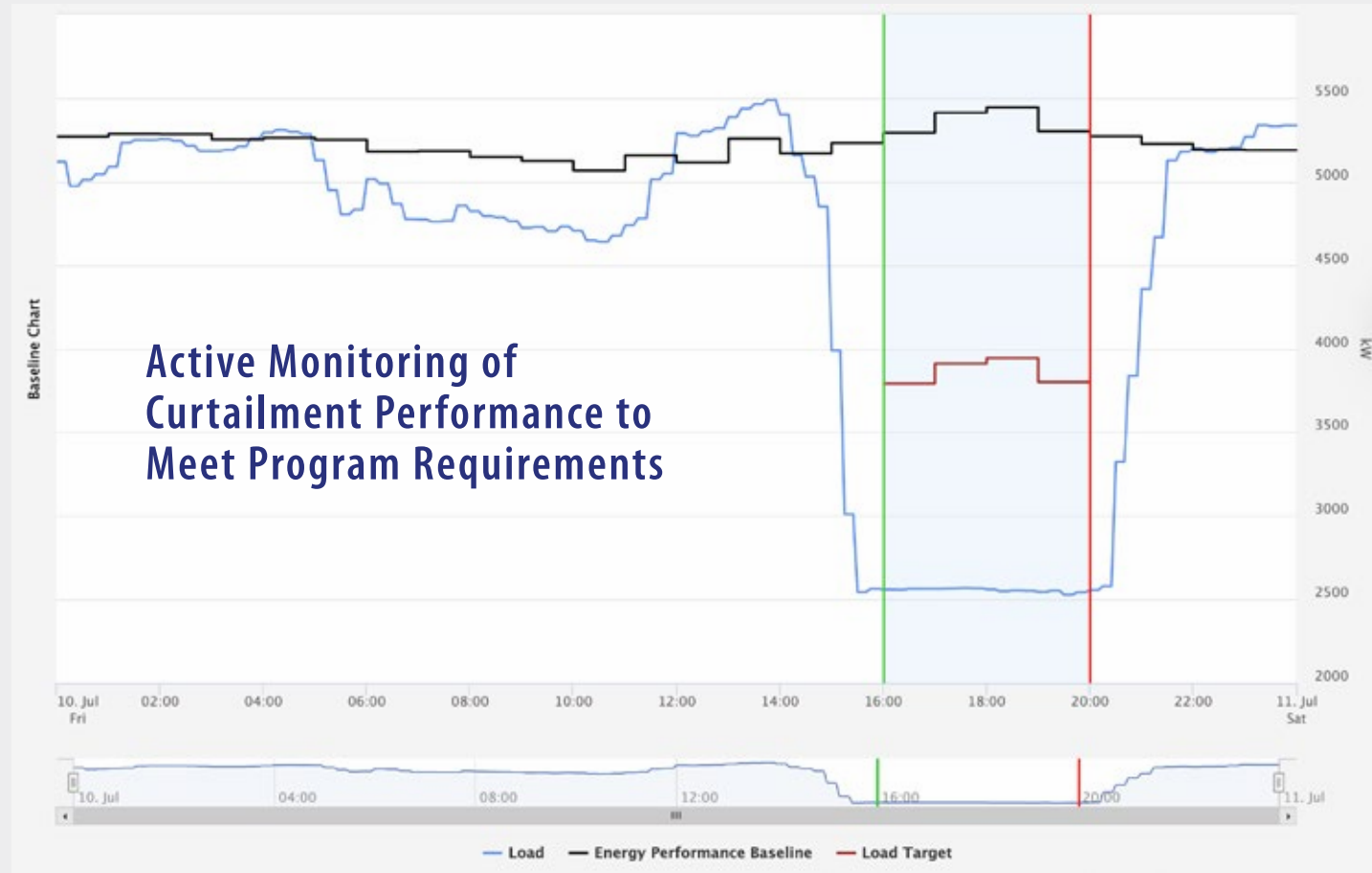
Programs	Entity	Period	Hours	Performance Duration	Notification
DLRP Distribution Load Relief Program	Utility *select zones	May 1 - Sep 30	6am to midnight	4 hours (+1 hour test)	2 hours before
CSR Commercial System Relief Program	Utility *select zones	May 1 - Sep 30	Peak Periods	4 hours (+1 hour test)	day before
SCR Special Case Resource	NYISO	Year-round	24 hrs	4 hours (+1 hour test)	day before
EDRP Emergency Demand Response Program	NYISO	Year-round	24 hrs	As Bid	day before
DSASP Demand-Side Ancillary Services Program	NYISO	Year-round	24 hrs	As Bid	auto-dispatch



Measuring Performance

Real-time Energy Monitoring and Demand Response Visualization Tools

Rodan Demand Response Dashboard



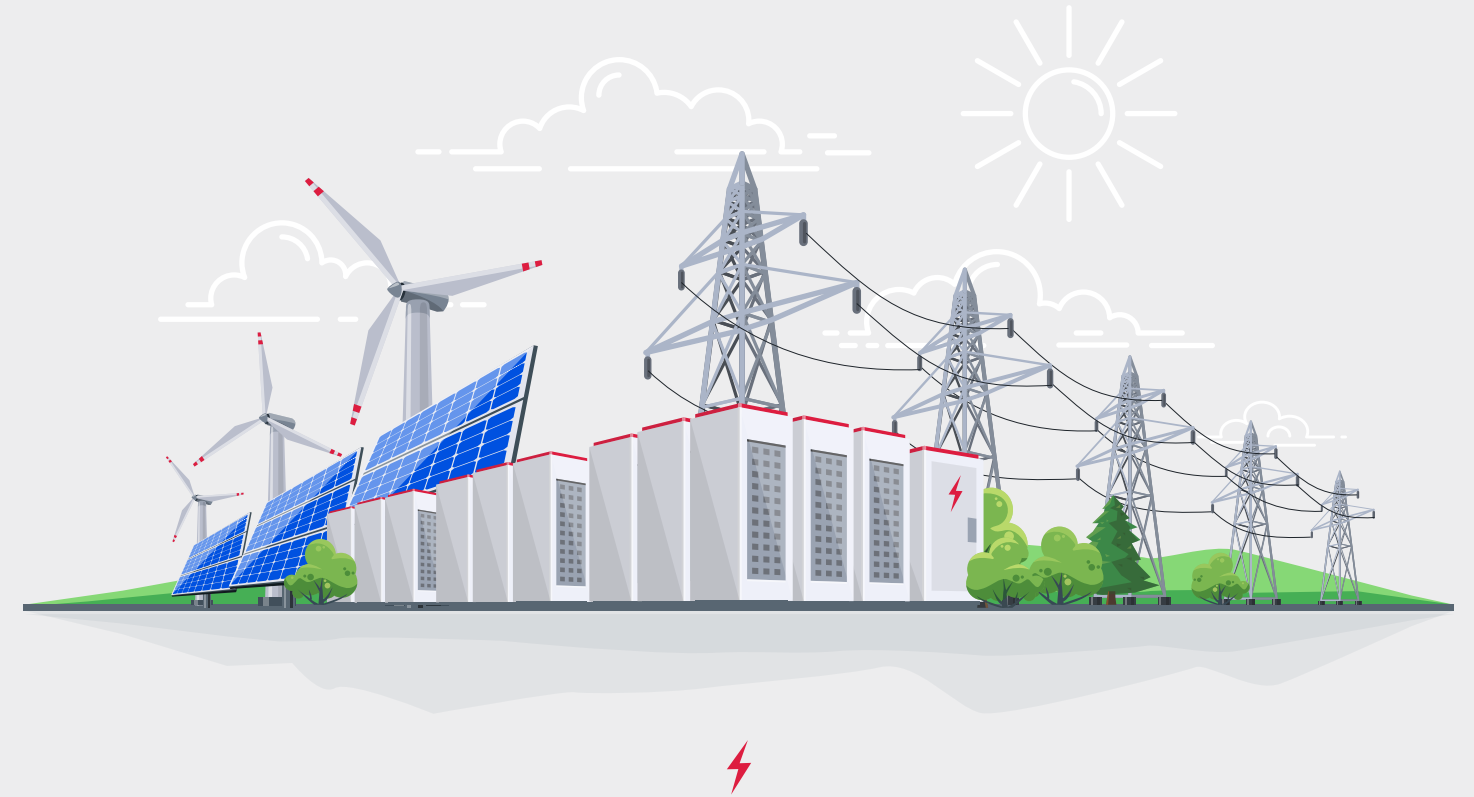
Why Energy Managers are Making The Most of these Programs

- Reduce Energy Costs
- Ensure Operational Reliability
- Meet Corporate Decarbonization Goals
- Reporting and Accountability



Making Life Easy for Energy Managers

Rodan can intelligently control and dispatch your DR assets (curtailable load, generation & energy storage) to facilitate participation in operating reserve programs.



Expanding Opportunities with Adaptive Automation

- Rodan Manages Customer Participation in the 10-minute and 30-minute Spinning Reserve

Energy Scheduling How it Works

1. Customers dictate the level of participation based on business needs and economic value.
2. Rodan enters this predetermined load capability into the market.
3. Customers receive payments for being available and performing when reliability conditions are met.

Making the Most of Energy Assets as we Move into a New Era of Global Responsibility and Accountability

Companies are now taking the opportunity to enable wiser demand/dispatching strategies for energy assets on-site that will help them reach their economic and sustainability goals.

To maximize the financial and environmental benefits of these opportunities, Rodan provides a uniquely sophisticated and adaptable machine learning control platform that is an industry game changer.

This platform is designed to accommodate and automate the dispatch of energy generation and storage, together

with operational and power grid demand, to optimize and monetize energy consumption.

Having an energy operating system that will perform within seconds to meet specified criteria is a must-have for facilities wishing to meet new energy and environmental targets.

A Must-have for Facilities Wishing to Meet New Energy and Environmental Targets



Asset Optimization



Asset Optimization – Automated Adaptive Energy Intelligence

Designed to dynamically augment or diminish the use of energy assets and automatically capitalize on frequent and finite changes in market conditions.



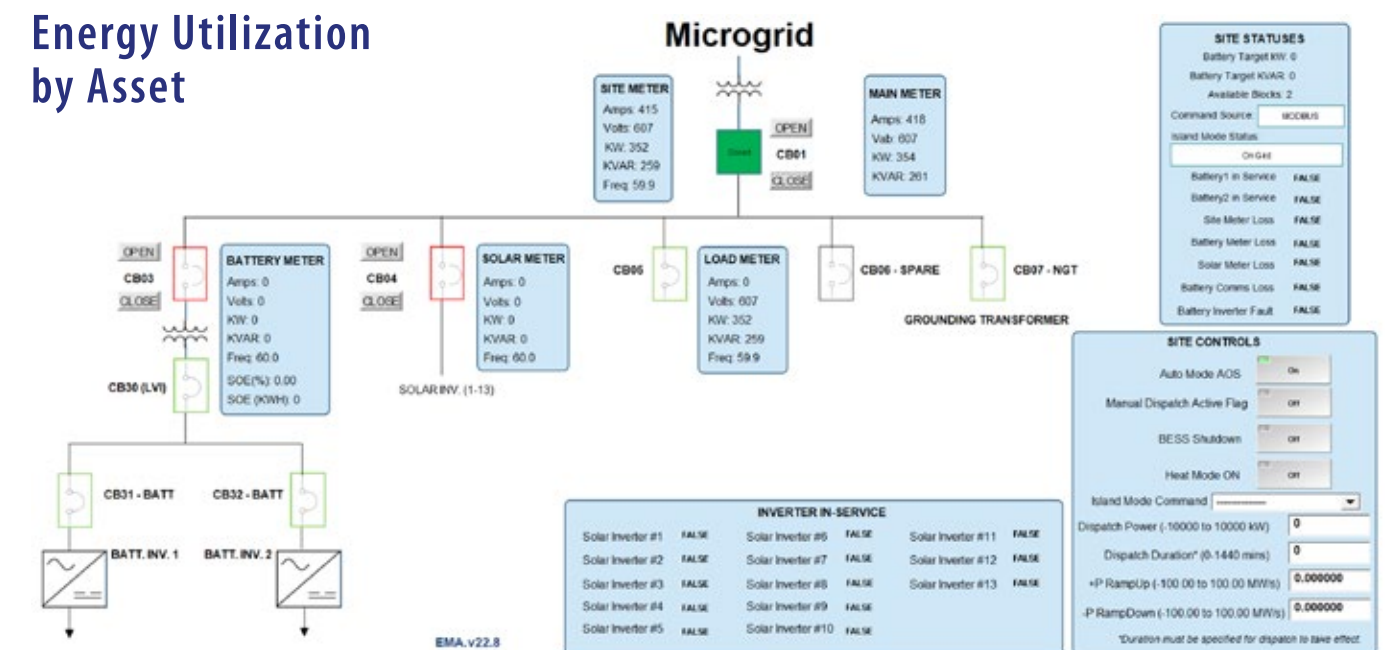
Results – Reporting & Transparency

Auto-generated Reporting on Savings & Settlement

- Consolidated benefit, asset operations & utilization
- Reporting – savings & settlement by facility and by asset
- Environmental, Social & Governance – CO2 Reduction

DER Asset Management Dashboard

Energy Utilization by Asset



Engineering teams can easily identify the actions taken on-site with real-time visibility to the charge and dispatch of energy assets enabling facilities to further capitalize on their economic and sustainable targets.



Getting Started

Choosing Asset Capabilities that will Match Demand Response (DR) Programs and On-bill Savings Opportunities

- Rodan assesses existing electrical usage and capabilities, then establishes the correct size and most beneficial asset technology needed to capitalize on the identified available load flexibility.



Integration - Engineering Expertise

Interconnecting the Asset into the Power Grid

- Uniquely able to measure, monitor and track the dynamic factors affecting the viability of an energy asset.
- Ensures the accurate measurement of electrical use and generation are registered with the ISO for compliance and settlement.
- Meticulously integrates each asset (e.g. battery, solar or wind generator) and enables it for optimization and monetization.

About Rodan Energy Solutions

Rodan Energy Solutions is a leading North American provider of **Demand Response, Distributed Energy Resources (DER) asset optimization, Energy Intelligence Solutions (EIS), Metering, Telemetry & SCADA, and Power Systems Engineering**. Serving commercial and industrial energy users as well as power distribution and generation companies – we believe in a clean energy future and are committed to “Making Sustainable, Attainable”.

Our team of power systems and software engineers, technicians, data scientists and energy market experts work with our customers to help them achieve their economic and sustainability goals.



Energy Intelligence Suite

Adaptive energy software accurately forecasts high energy demand on the grid, provides live market data and the ability to track curtailment initiatives so Energy Managers can make intelligent decisions and add value to business operations.



Facility Energy Optimization & Distributed Energy Resources

Interconnecting the Asset into the Power Grid - Rodan is uniquely able to measure, monitor and track the dynamic factors affecting the viability of an energy asset. Our adaptive machine learning software meticulously integrates each asset (eg. battery, solar or wind generator) and enables it for optimization and monetization.



Systems Engineering

Power Systems Engineering design - build and operate. Support power system connections with utilities & ISOs.



Metering and Testing

Our 24/7 Operations Center manages and dispatches over 1000 MW of power resources and monitors over \$3B in annual power flows across North America.



Multi-market Participation

Rodan is currently registered to participate in multiple Power Market Sectors – including: NYISO, PJM, MISO, IESO and AESO, and continues to expand.

A Clean and Sustainable Energy Future is Possible.

Rodan - Making Sustainable, Attainable



USA & Canada 1-866-999-5006 | sales@rodanenergy.com | RodanEnergy.com